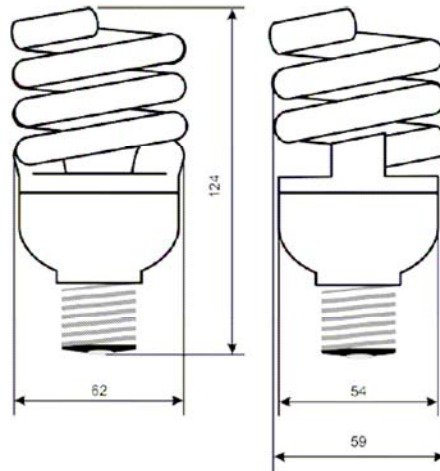




## Technical Specification

- Rated at 20W
- Available with B22 or E27 fitting
- Compatible with most standard dimmers
- Incorporates patented DigiFlux technology
- Dimming range: 3% to 100%
- Switch on at any light level
- Constant light output with voltage fluctuations
- High luminous output of 66 Lm/W
- Long lifetime of 16000 hours
- Colour temperature 2700°K
- Energy Class A1
- Excellent Power Factor Correction of >0.8
- Colour Rendering Index of 81 Ra
- High Quality T3 Tube
- Low mercury content only 2.5mg



Power	Input Current	Power Factor	Colour Rendering Index	Colour Temperature	Luminous Flux	Luminous Output	Dimensions /mm		
							W1	W2	H
20W	0.92A	>0.8	81 Ra	2700K	1300 Lm	66 Lm/W	62	54	124