

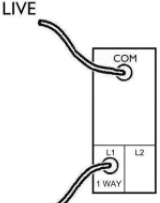
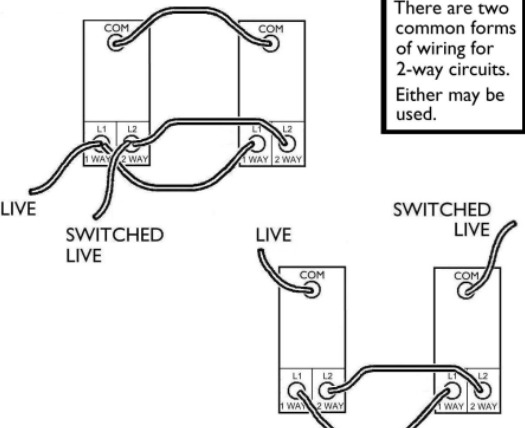
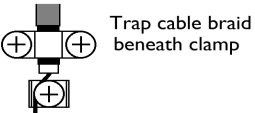
# Fitting Instructions for VARILIGHT® Antimicrobial Copper\* Wiring Accessories

[www.varilight.co.uk](http://www.varilight.co.uk)



Please read these instructions carefully before beginning any electrical work and retain them for future reference. The product should be installed in accordance with the current addition of the IEE Wiring regulations. If in doubt, consult a qualified electrician.

1. Always switch OFF the mains supply and remove the appropriate fuse or switch off the appropriate circuit breaker before beginning electrical work.
2. Always use cable of the correct rating and type.
3. The layout of the terminals may differ between fittings so check the location of terminal connections carefully before wiring.
4. Make electrical connections according to the relevant diagram ensuring no bare wires protrude from the terminals.
5. If the product has an earth terminal connect the fixed earth wire to it and then connect a short length of wire from the earth terminal on the product to the earth terminal on the wall box. The earth wire should be sheathed with green and yellow sleeving.
6. Screw plate to wall using fixing screws supplied.
7. Switch on the mains supply.

<p><b>EXAMPLE WIRING 1-WAY SWITCH</b></p>  <p>For 2 or more gangs the live wire may be connected to each COM terminal by means of a short length of sleeved wire.</p>	<p><b>EXAMPLE WIRING 2-WAY SWITCHES</b></p>  <p>There are two common forms of wiring for 2-way circuits. Either may be used.</p>	<p><b>WIRING 13A SOCKETS</b></p> <p>All sockets must be earthed and the earth leads adequately sleeved.</p> <p>Connect the earth wire(s) to the terminal marked <math>\perp</math></p> <p>Connect the live wire(s) to the terminal marked L.</p> <p>Connect the neutral wire(s) to the terminal marked N.</p> <p><b>WIRING COAXIAL SOCKETS</b></p>  <p>Trap cable braid beneath clamp</p> <p>Screw central conductor into terminal</p>
--	--	---

## \* Antimicrobial Copper Wiring Accessories

Independent laboratory testing has proven that Antimicrobial Copper is safe to use, continuously kills pathogenic microbes and inhibits the buildup and growth of bacteria, reducing bacterial\*\* contamination, achieving 99.9% reduction within two hours of exposure between routine cleaning and sanitising steps.

### Cleaning and sanitisation

This product will develop a natural patina with age. Routine cleaning and sanitisation procedures must continue to be implemented to reduce the potential for infection and to keep the Antimicrobial Copper Alloy surface free of dirt and grime that could prevent contact with the surface and inhibit antimicrobial performance. The appropriate cleaning agent depends on the type of soiling and the measure of sanitisation required. To remain effective the surface must not be coated in any way. **Do not wax, paint, lacquer, varnish, or otherwise coat this product.** Normal tarnishing or wear of Antimicrobial Copper Alloy surfaces will not impair the antibacterial effectiveness of the product. An effective cleaning agent for use on antimicrobial copper product is citric acid. Apply a small amount to a polishing cloth and lightly wipe the affected area.

(Independent testing has demonstrated effective antibacterial activity against many pathogenic organisms, including MRSA and C. difficile.)

**Guarantee:** If this item becomes defective within 12 months of purchase, Varilight undertakes to repair or replace the item, at its discretion, and solely as a result of faulty materials or workmanship, provided that the unit has been correctly fitted according to the instructions, has not been used overloaded beyond its rating, tampered with or taken apart. Pack the unit securely and return it to: Service Department, Carylls Lea, Faygate, Horsham, West Sussex, RH12 4SJ, together with a letter stating the guarantee registration number below, the date and place of purchase, the type and wattage of the lighting or other load being controlled and the details of the fault. This guarantee states Varilight's entire liability, which does not extend to cover consequential loss or damage or installation costs arising from a defective product. This guarantee does not in any way affect the statutory rights of the purchaser and is offered so that you may have the benefit of our technical facilities.

**Guarantee Registration Number: CU 002**