

Momentary/Bell Push Switches From VARILIGHT®

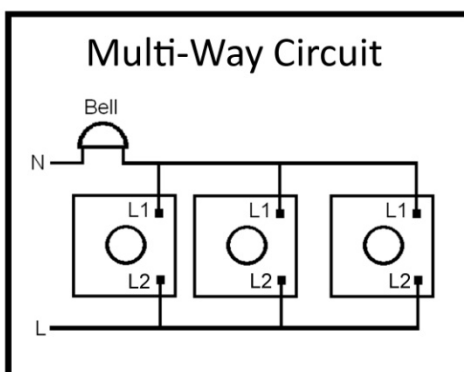
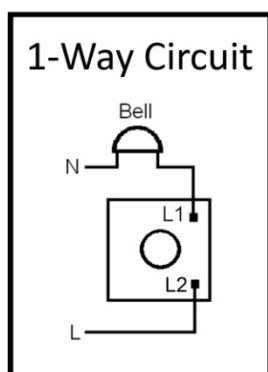
Thank you for purchasing a momentary push switch from VARILIGHT. Operation is simple – push to make the circuit (ideal for door chimes, etc). This switches are rated at 6 or 10A (Please check the rear of the product for rating).

Fitting Your Momentary or Bell Push Switch

Read the instructions below carefully. Incorrect installation may damage the switch beyond repair. **In case of any doubt or difficulty consult a qualified electrician.**

1. Switch off at the mains, then remove the existing switch and disconnect the wiring from the terminals at the rear, taking note of the present wiring and the marking on the terminals. Where there are two or more wires together in the old switch, they must be kept together in the new one.
2. This product is suitable for 1-way and multi-way circuits. To connect the wiring correctly refer to the diagram below. Take care that no bare wires project out of the terminals. Keep wires together in a terminal if they were together in your old switch.
3. Switches having a metal front plate must be earthed by means of the earthing point provided.
4. Once installation is complete. Switch on the mains supply and begin using your switch.

Wiring Diagrams



WARNING: The switches in these products are rated at 6 or 10A (Please check the rear of the product for rating). Check the in-rush current for LED bulbs or drivers does not exceed 6 or 10A before connecting. Fit inrush current limiters where necessary.

GUARANTEE

In case of any defect, return the product to our service department. Varilight undertakes to repair or replace, at its discretion, goods which have become defective within 10 years of purchase, solely as a result of faulty materials and workmanship, provided that:-

- a) The unit has been correctly fitted according to the instructions and has not been used with an incompatible load, fluorescent tubes, or overloaded beyond its rating, and has only been used on a 230V 50Hz AC power supply.
- b) The product has not been tampered with or taken apart.
- c) The unit is securely packed and safely returned to **Service Department, Carylls Lea, Faygate, Horsham, West Sussex, RH12 4SJ** (Tel. (01293) 223333) together with a letter stating the guarantee registration number below, the date and place of purchase, the type and wattage of the lighting or other load being controlled and the details of the fault.

This guarantee states Varilight's entire liability, which does not extend to cover consequential loss or damage or installation costs arising from a defective product. The guarantee does not apply to problems arising from any incompatibility between your lamps and the dimmer switch. This guarantee does not in any way affect the statutory rights of the purchaser and is offered so that you may have the benefit of our technical facilities.



GUARANTEE REGISTRATION NUMBER MO004

Doyle & Tratt Products Ltd

www.varilight.co.uk