

INSTRUCTIONS FOR VARILIGHT 2-WAY AND INTERMEDIATE SWITCH MODULES

OVERVIEW

Thank you for choosing a VARILIGHT switch. This switch is designed for mains voltage lighting and can be used to switch almost all lighting loads. It is a replacement dimmer module for use with non-dimmable loads for switching only to coordinate with other dimmer switches. Use only on an electricity supply of 230 volts AC.

IMPORTANT: Read ALL sections below before installing this switch.

LOADING

Maximum load for Switch modules is **6A**.

THIS SWITCH IS SUITABLE FOR

✓ Most types of non-dimmable lighting

THIS SWITCH IS NOT SUITABLE FOR

* Dimming (switch only)

FREQUENTLY ASKED QUESTIONS

For FAQs, please visit: www.varilight.co.uk/faqs

GUARANTEE

In case of any defect, return the dimmer to our service department. Varilight undertakes to repair or replace, at its discretion, goods which have become defective within 10 years of purchase, solely as a result of faulty materials and workmanship, provided that:-

a) The unit has been correctly fitted according to the instructions and has not been used with an incompatible load, fluorescent tubes, or overloaded beyond its rating, and has only been used on a 200-250V a.c. power supply.

b) The dimmer module has not been tampered with or taken apart. However, for your convenience, it is perfectly in order to remove a faulty dimmer module from multi-gang dimmers by pulling off the knob and unscrewing the nut under the knob. You will then still have the remaining modules working whilst we service your faulty module.

c) The unit is securely packed and safely returned to:-
Service Department, Caryl's Lea, Faygate, Horsham, West Sussex, RH12 4SJ (Tel. (01293) 223333) together with a letter stating the guarantee registration number below, the date and place of purchase, the type and wattage of the lighting or other load being controlled and the details of the fault.

This guarantee states Varilight's entire liability, which does not extend to cover consequential loss or damage or installation costs arising from a defective product. The guarantee does not apply to problems arising from any incompatibility between your lamps and the dimmer switch. This guarantee does not in any way affect the statutory rights of the purchaser and is offered so that you may have the benefit of our technical facilities.

GUARANTEE REGISTRATION NUMBER: DD004

WARNING: Do not apply products with metal faceplates directly to freshly plastered or damp surfaces as product may tarnish. If in doubt, use polythene as a temporary gasket to protect the product. Do not use masking tape on metal faceplates.

www.varilight.co.uk

Please **record the batch number** printed on the side of the plastic moulding on the rear of the product. This will assist us in providing any technical support you may require.

**Reg.
DD004**

BATCH NO:

INSTALLERS – Please leave these instructions with your customer for future reference.

FITTING YOUR DIMMER

Read the instructions below carefully. Incorrect installation may damage the dimmer beyond repair.

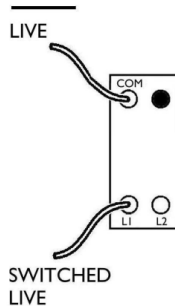
In case of any doubt or difficulty consult a qualified electrician.

- Switch off at the mains, then remove the existing switch and disconnect the wiring from the switch terminals at the rear, taking note of the present wiring of the switch and the marking on the terminals. Where there are two or more wires together in the old switch, they must be kept together in the switch.
- Ensure that any wall box is free of plaster lumps or projecting screw heads. Switches on single-sized plates can be fitted to wall boxes having 60.3mm screw fixing centres and those with double-sized plates to wall boxes with 120.6mm fixing centres. Most models can be fitted into a box with a minimum depth of 25mm. A box having 4 fixing lugs cannot be used without modifying it. The top and bottom lugs must be broken off or bent flat.
- To connect the wiring for 1-way or 2-way circuits refer to the diagrams below. Take care that no bare wires project out of the terminals. Keep wires together in a terminal if they were together in your old switch.
- Switches having a metal front plate must be earthed by means of the earthing point on the plate.
- After connecting the wires screw the switch gently into the wall box so that the front plate is not distorted or cracked. Do not trap the wiring between the rear of the dimmer and the back of the wall box.
- Once installation is complete. Switch on the mains supply and switch on.

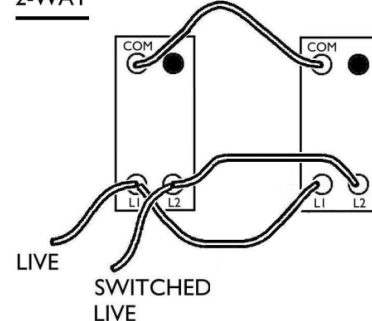
WARNING: The switch in this product is rated at 6A.

Check the in-rush current for LED bulbs or drivers does not exceed 6A before connecting. Fit inrush current limiters where necessary.

EXAMPLE WIRING
1-WAY



EXAMPLE WIRING
2-WAY



EXAMPLE WIRING
INTERMEDIATE SWITCH

