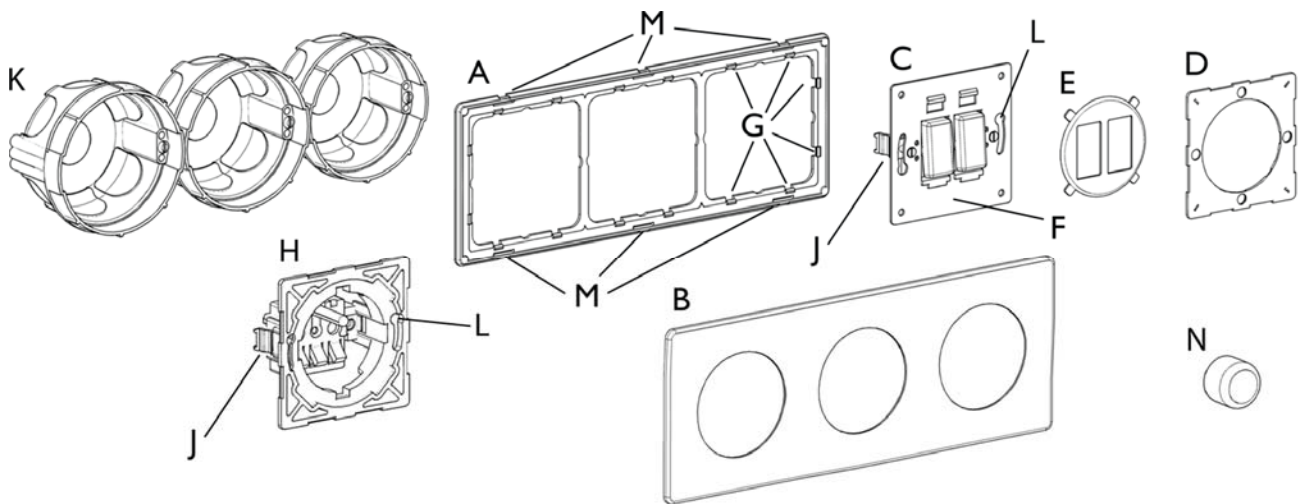


VARILIGHT® VariGrid™ Assembly Instructions



1. Unclip the plastic frame (A) from the back of the decorative faceplate (B).
2. Take an insert (C) and remove the plastic cover plate (D) and metal fascia (E). For 16A socket inserts remove the central screw to remove both parts of the plastic cover plate. For dimmers remove any control knobs (N).
3. Putting the cover plate (D) and fascia (E) to one side, locate the insert immediately in front of the correct section of the plastic frame (A).
 - a) For inserts with a metal base plate (F), pull the edges of the plastic frame (A) outwards and forwards so that the small clips (G) sit in front of the metal base plate (F). Ensure all the small clips (G) are correctly located.
 - b) For inserts with a plastic base plate (H), simply push the plastic base plate in from the front of the plastic frame (A) and it will clip in.
4. Repeat step 2 and 3 for each insert (C) and wire up each insert according to the wiring instructions.
5. Once all the inserts (C) are correctly located, use a screwdriver to adjust the screws so that each pair of claws (J) are positioned to allow the product to be pushed fully into the wall box (K). Tighten the screws so that the claws (J) grip the wall box (K). Alternatively you can use any fixing screws that were supplied with the wall box (K) to fix the insert (A) via the two holes (L) in the metal base plate (F) or plastic base plate (H). Ensure that the product is fitted correctly and that the plastic frame (A) is flat.
6. Take each metal fascia (E) and locate it into the plastic cover plate (D). Push the plastic cover plate (D) into place. For 16A sockets, use the fixing screw to fix both parts of the plastic cover plate in place.
7. Clip on the decorative faceplate (B), pressing firmly on the faceplate (B) over each of the external clips (M) on the plastic frame until the faceplate (B) is fully clipped on.
8. For dimmers, attach any control knobs (N) to complete the installation.